

Neonlite	Tentative Engineering Specifications of Energy Saving LED Reflector lamp				Edition:13 May 2011		
					Preliminary		
Part No.	Model No.	Rating	Cap	Color Temp.	Life	Remark1	Remark2
T955260108AH	LG0408dv2	230V,8W	E27	2800K	25,000		
t.b.c	LG0408dv2	230V,8W	E27	4000K	25,000		

## 1 General Data

1.1	Rated Voltage [V]	220~240
1.2	Wide Voltage Range[V]	180~260
1.3	Surge Voltage [V]	500
1.4	Frequency [Hz]	50/60
1.5	Operating frequency [KHz]	>40
1.6	Lamp Wattage [W]	8.0(+10%/-15%)
1.7	Lamp Current [mA]	50
1.8	Power Factor	≥0.7
1.9	Dimming range	100%~10%

## 2 Light Data [Initial]

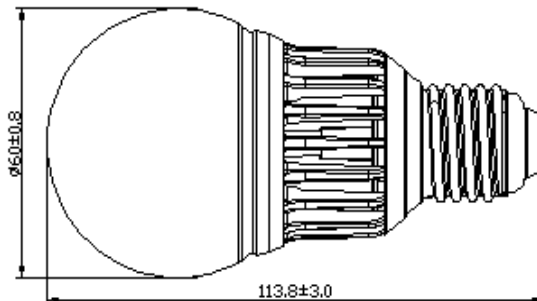
2.1	Lux distribution [lux]	N/A	
2.2	Equivalent Lumen Output[lm]	420	420
2.3	Color Temperature [K]	2800	4000
2.4	Energy Label	A	A
2.5	Comparision Wattage	36W Incandescent (Candle Shape)	
2.6	X (Color Temperature)	0.463	0.380
2.7	Y (Color Temperature)	0.420	0.380
2.8	Color Rendering Index	80	80
2.9	Operating temperature range[°C]	-30 to +40	
2.10	Projected Lumen Maintenance @ 25,000 hours [%]	90	
2.11	Ignition time at 230V, 25°C [s]	<1.0	

## 3 Life Time [at 230V, lot size min. 20 units]

3.1	Life Time at 230V, 25°C [h]	25,000
3.2	Switching cycle up to 50% failure (30s on, 30s off) [cycles]	>1000,000

## 4 Geometrical Data

4.1	LED Number	1.0
4.2	Diameter (D) [mm]	60±0.8
4.3	Length (L) [mm]	113.8±3.0
4.4	Weight [g]	99(±5%)
4.5	Base	E27 Plastic
4.6	RoHS	Compliant



## 5 Technical Data

5.1	Safety Requirement	according to IEC/EN60968 according to IEC/EN62031
5.2	Photobiological Safety	according to IEC/EN62471
5.3	Performance Requirement	according to IEC/EN60969

5.4	EMC Requirement	according to IEC/EN55015 according to IEC/EN61547 according to IEC/EN61000-3-2 according to IEC/EN61000-3-3
5.5	Approvals	CE
5.6	Color of plastic component	Grey
5.7	Bulb cover finish	Clear smooth with silicon outer coating
5.8	Flammability of plastic component	94-V0/94-HB
5.9	Lamp cap twist safe[Nm]	3.0