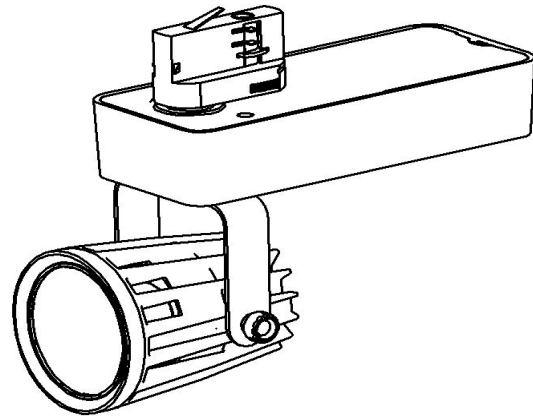


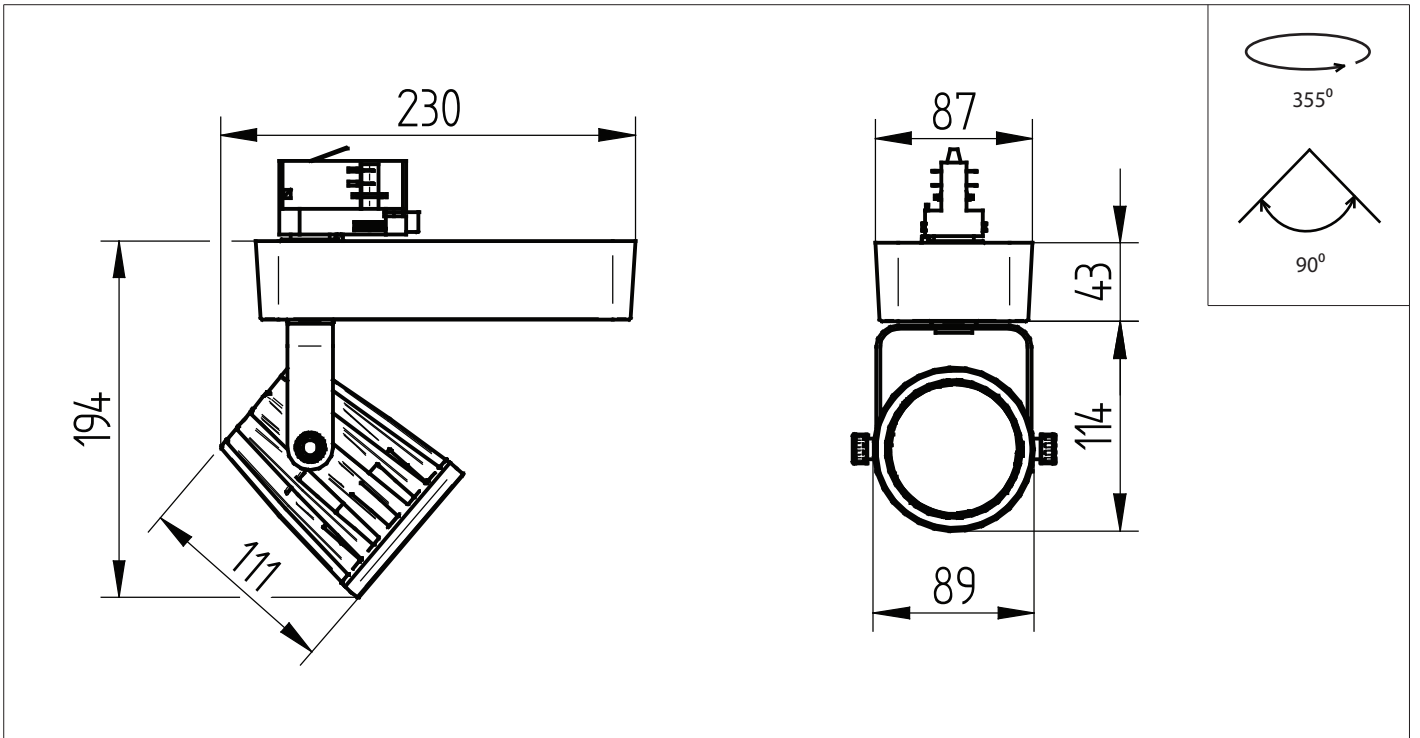
PHILIPS

EcoStyle

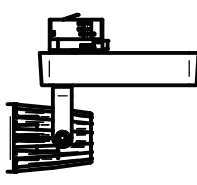
ST440T



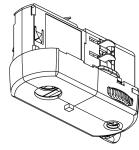
	CCT(K)	kg	P _{nom} (W)	P _{max} (W)	Color
ST440T LED17S/830 PSU MB II	3000	1	18	19	BK= Black or WH= White
ST440T LED17S/840 PSU MB II	4000	1	18	19	
ST440T LED17S/830 PSU WB II	3000	1	18	19	
ST440T LED17S/840 PSU WB II	4000	1	18	19	
ST440T LED27S/830 PSU MB II	3000	1	29,5	31	BK= Black or WH= White
ST440T LED27S/840 PSU MB II	4000	1	29,5	31	
ST440T LED27S/830 PSU WB II	3000	1	29,5	31	
ST440T LED27S/840 PSU WB II	4000	1	29,5	31	
ST440T LED35S/830 PSU MB II	3000	1	31,5	33	BK= Black or WH= White
ST440T LED35S/840 PSU MB II	4000	1	31,5	33	
ST440T LED35S/830 PSU WB II	3000	1	31,5	33	
ST440T LED35S/840 PSU WB II	4000	1	31,5	33	



ST440T



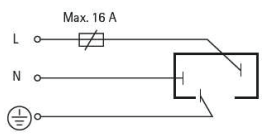
GA69

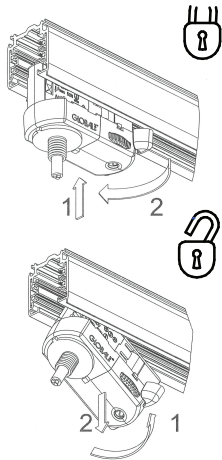


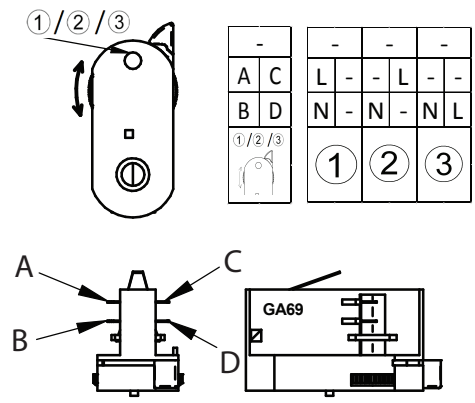
GLOBAL Trac Base

Connection
230 V AC, 16 A, 3.7 kW

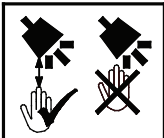
Max. 16 A



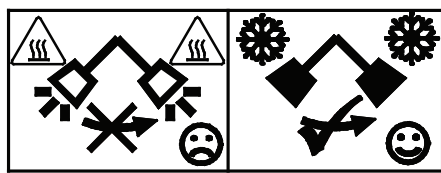


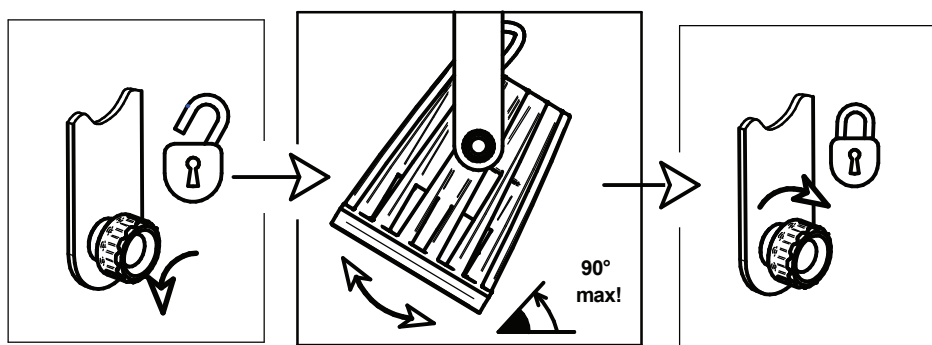


Mounted out of arms reach

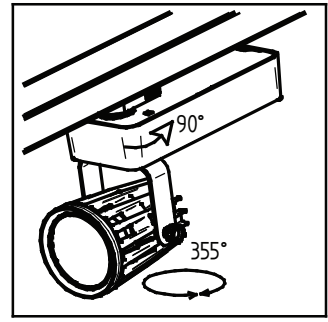



Don't touch until it cooled down





90° max!





DRIVER	ST440 LED35S	ST440 LED17S, 27S
Inom(A)	0,18	0,2
I _{max} (A)	14,5	6
T _{ref} (us)	220 (@ I _{max} 50%)	55
MCB	Max. products	Max. products
B-16A	32	39

Inrush current

