

IP20 SELV        RoHS

## TALEXconverter LCBU 10W 12V BASIC phase-cut SR BASIC series

### Product description

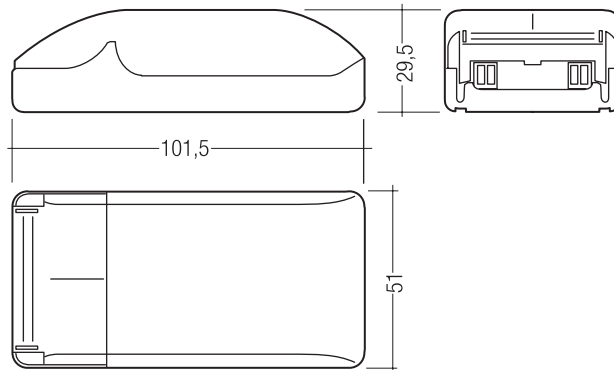
- Dimmable via leading-edge and trailing-edge phase dimmer
- Nominal life of 50,000 h (at ta max. 50 °C with a failure rate of max. 0.2 % per 1,000 h)
- 12 V output voltage
- Screw terminals
- Connecting cable, wire cross-section 0.5 – 2.5 mm<sup>2</sup>
- Output power 10 W
- SELV
- Type of protection IP20
- Dimming range typ. 5 to 100 % (depending on dimmer)

### Properties

- Casing: polycarbonat, white
- Compact dimensions
- Overload protection
- Short-circuit protection
- No-load protection

### Technical data

Rated supply voltage	220 – 240 V
Input voltage, AC	198 – 264 V
Mains frequency	50 / 60 Hz
Typ. rated current (at 230 V, 50 Hz, full load)	0.06 A
Typical ripple voltage at full load	± 7 %
Power factor at full load <sup>①</sup>	0.9
Power factor at min. load <sup>①</sup>	0.7
Turn on time (at 230 V, 50 Hz, full load)	≤ 0.1 s
Turn off time (at 230 V, 50 Hz, full load)	≤ 0.1 s
Hold on time at power failure (output)	0 s
Ambient temperature ta	-25 ... +50 °C
Ambient temperature ta (at life-time 50,000 h)	50 °C
Max. casing temperature tc	75 °C
Storage temperature ts	-40 ... +85 °C
Dimensions L x W x H	102 x 51 x 30 mm



### Ordering data

Type	Article number	Packaging, carton	Packaging, pallet	Weight per pc.
LCBU 10W 12V BASIC phase-cut SR	89800289	20 pc(s).	1,000 pc(s).	0.065 kg



Standards, page 2

Wiring diagrams and installation examples, page 2

### Specific technical data

Type	Efficiency at full load <sup>①</sup>	Efficiency at min. load <sup>①</sup>	Max. output current	Output voltage	Max. output voltage	Max. input power	Output power
LCBU 10W 12V BASIC phase-cut SR	77 %	65 %	0.83 A	11 – 15 V	15 V	13 W	3 – 10 W

<sup>①</sup> Test result at 230 V, 50 Hz.

### Standards

EN 55015  
EN 61000-3-2  
EN 61000-3-3  
EN 61347-1  
EN 61347-2-13  
EN 61547  
EN 62384

### Overload protection

If the output voltage range is exceeded the LED control gear reduces the LED output current. After elimination of the overload the nominal operation is restored automatically.

### Short-circuit behaviour

In case of a short circuit on the secondary side (LED) the LED control gear switches into hic-cup mode. After the removal of the short-circuit fault the LED control gear will recover automatically.

### No-load operation

The LED control gear works in constant current mode. In no-load operation there is the max. output voltage at the output (see page 1).

### Installation instructions

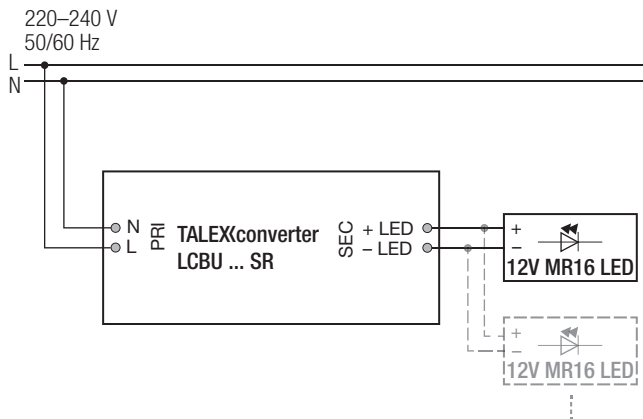
Note the requirements set out in the document LED\_driver\_installation\_advise.pdf (<http://www.tridonic.com/com/en/technical-docs.asp>).

Hot plug-in or secondary switching of LEDs is not permitted and may cause a very high current to the LEDs.

### Maximum loading of automatic circuit breakers

Automatic circuit breaker type	C10	C13	C16	C20	B10	B13	B16	B20	Inrush current	
Installation Ø	1.5 mm <sup>2</sup>	1.5 mm <sup>2</sup>	1.5 mm <sup>2</sup>	2.5 mm <sup>2</sup>	1.5 mm <sup>2</sup>	1.5 mm <sup>2</sup>	1.5 mm <sup>2</sup>	2.5 mm <sup>2</sup>	I <sub>max</sub>	Time
LCBU 10W 12V BASIC phase-cut SR	50	65	80	100	50	65	80	100	1.7 A	40 µs

### Wiring diagram



### Glow wire test

according to EN 60598-1 with increased temperature of 850 °C passed.

### Isolation and electric strength testing of luminaires

Electronic devices can be damaged by high voltage. This has to be considered during the routine testing of the luminaires in production.

According to IEC 60598-1 Annex Q (informative only!) or ENEC 303-Annex A, each luminaire should be submitted to an isolation test with 500 V<sub>DC</sub> for 1 second. This test voltage should be connected between the interconnected phase and neutral terminals and the earth terminal. The isolation resistance must be at least 2 MΩ.

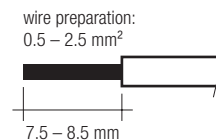
As an alternative, IEC 60598-1 Annex Q describes a test of the electrical strength with 1500 V<sub>AC</sub> (or 1.414 x 1500 V<sub>DC</sub>). To avoid damage to the electronic devices this test must not be conducted.

### Wiring type and cross section

The wiring can be in stranded wires with ferrules or solid. For perfect function of the cage clamp terminals the strip length should be 7.5–8.5 mm for the input terminal.

The max. torque at the clamping screw (M3) is 0.5 Nm.

### Input / Output terminal



### Wiring instructions

The secondary leads should be separated from the mains connections and wiring for good EMC performance. Maximum lead length on secondary side is 3 x 2 m (parallel wiring of 12 V modules). For a good EMC performance keep the the LED wiring as short as possible.

### Additional information

Additional technical information at [www.tridonic.com](http://www.tridonic.com) → Technical Data

Guarantee conditions at [www.tridonic.com](http://www.tridonic.com) → Services

No warranty if device was opened.